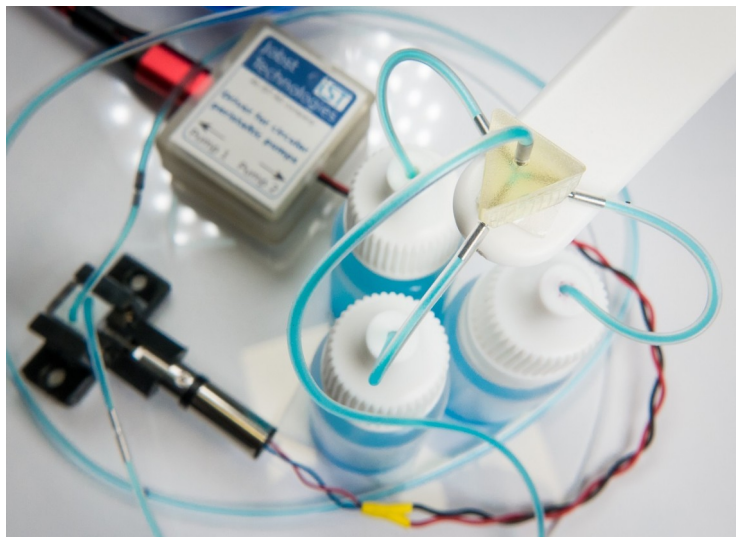


Microfluidic Accessories

Accessories for the usage in microfluidic systems



Pyramid-Connector

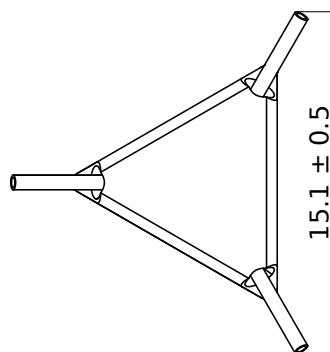
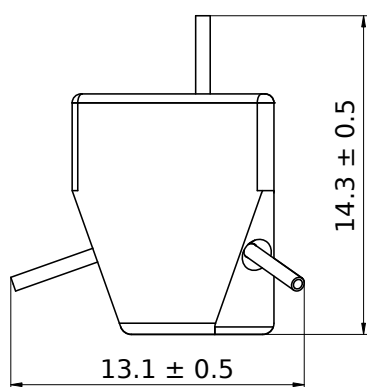
Weight: 0.61 g

Size: $13.1 \times 14.3 \times 15.1 \pm 0.5$ mm

Tube material: Stainless steel 1.4301

Tube dimension: 0.45 mm inner / 0.65 mm outer diameter

Part number: MF.PC1.650.450.SS.14301



Disclaimer: Evaluation Product For Professionals To Be Used Solely For Research And Development Purposes!
Not For Medical And Diagnostic Use. Not To Be Used On Humans. For More Information Contact IST AG.

Y-Connector

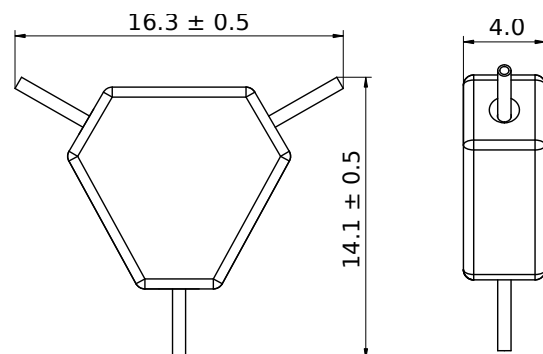
Weight: 0.38 g

Size: $16.3 \pm 0.5 \times 14.1 \pm 0.5 \times 4.0$ mm

Tube material: Stainless steel 1.4301

Tube dimension: 0.45 mm inner / 0.65 mm outer diameter

Part number: MF.YC1.650.450.SS.14301



X-Connector

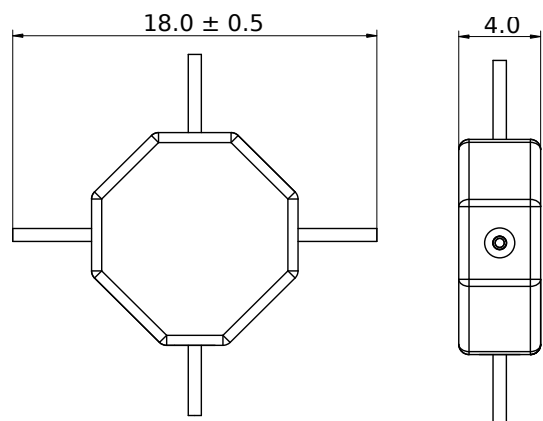
Weight: 0.41 g

Size: $18.0 \pm 0.5 \times 18.0 \pm 0.5 \times 4.0$ mm

Tube material: Stainless steel 1.4301

Tube dimension: 0.45 mm inner / 0.65 mm outer diameter

Part number: MF.XC1.650.450.SS.14301



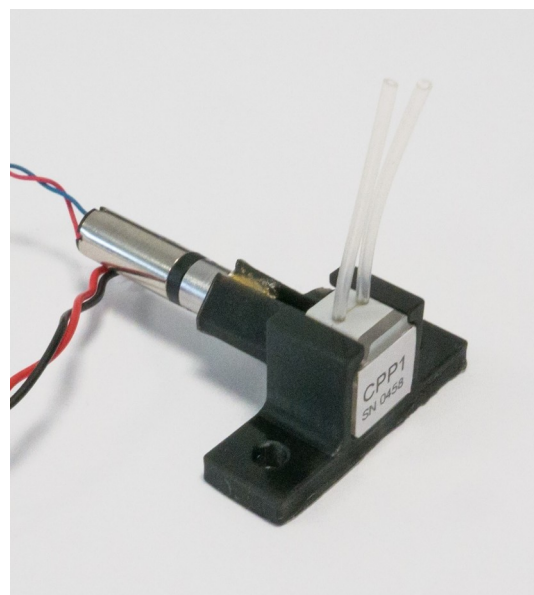
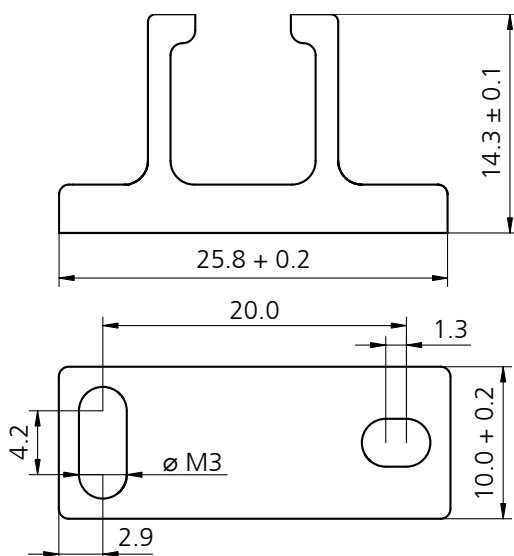
Holder for CPP1 pumps

Weight: 1.67 g

Size: $25.8 \pm 0.2 \times 14.3 \pm 0.1 \times 10.0 \pm 0.2$ mm

Fixation: 2 holes for ISO M3 screws

Part number: MF.HO1.000.000.NN.00000



Disclaimer: Evaluation Product For Professionals To Be Used Solely For Research And Development Purposes!
Not For Medical And Diagnostic Use. Not To Be Used On Humans. For More Information Contact IST AG.